



## FEATURES

- Atom N270 1.6Hz/ D525 1.8Hz Low-power Processor
- 1GB DDR2 533MHz SDRAM
- USB 2.0 x 4, PS2 x 2, VGA x 1
- DB-9 For RS232 x 4, DB-25 x 1
- 10/100/1000Base, RJ 45 x2
- DC\_In 12V
- Support Windows 2000/ XP/ VISTA/ 7, Linux

## SPECIFICATIONS

SYSTEM	
Processor	Atom N270 1.6Hz/ D525 1.8Hz Low-power Processor
System Memory	1GB DDR2 533MHz SDRAM
Ethernet	10/100/1000Base, RJ 45 x 2
I/O Port	USB 2.0 x 4 DB-9 For RS232 x 4 DB-25 x 1 Audio x 1 Power Input x 1 VGA x 1 PS2 x 2
Storage Disk Drive	Support SATA 2.5"SSD, HDD And DOM Card
Expansion Slot	-
Operating System Support	Windows 2000/ XP/ VISTA/ 7, Linux

### LCD

Display Type	10.4"VGA TFT LED backlight
Max Resolution	800x600/1024x768
Max. Colors	16M
Luminance	350cd/m2
Viewing Angle	160°(H), 160°(V)
Back Light MTBF (Hours)	50000

### TOUCH SCREEN

Type	Heat 5 wire analog resistive
Light Transmission	More Than 81%
Life Time	35 Million Times Click

### POWER SUPPLY

DC Input	DC_IN 12V
----------	-----------

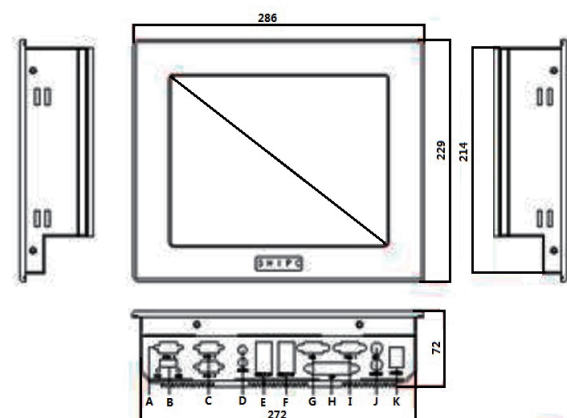
### ENVIRONMENTAL

Operating Temperature	0°C ~ 60°C
Storage Temperature	-20°C ~ 70°C
Storage Humidity	10%~ 95%@40°C Relative Humidity, Non-condensing

### MECHANICAL

Construction	The Panel Is Made Of Aluminum-magnesium Alloy, And The Whole Surface Of The Shell Is Processed By Aluminum-magnesium Alloy
Mounting	VESA / Panel Embedded Mount
Dimensions	286x229x72mm
Weight	4.0KG

### DIMENSION ( Unit: mm )



A-----COM4	E-----USB & RJ45	I-----COM1
B-----Power In put	F-----USB & RJ45	J-----KB/MS
C-----COM2,COM3	G-----VGA	K-----ON/OFF
D-----Audio	H-----Parallel Port	

**The Hole Size: 274 x 216**