



## FEATURES

- A83T Octa-Core 2.0GHz
- 2GB DDR3 SDRAM
- TF x 1 ,HDMI x 1,OTG x 1
- 8GB Onboard Flash (Max.16GB)
- RS232 x 1, HDMI x 1
- USB 2.0 x 2
- 10/100Base, RJ 45 x1
- Optional Build\_in Wifi and BT4.0

## SPECIFICATIONS

SYSTEM	
Processor	A83T Octa-Core 2.0GHz
System Memory	2GB DDR3 SDRAM
Ethernet	10/100Base, RJ 45 x1
I/O Port	USB 2.0 x 2 RS232 x 1 HDMI x 1 Power Input x 1
Storage Disk Drive	8GB Onboard Flash (Max. 16GB) SD x 1 (Max.32GB)
Expansion Slot	mPCIe x 1
Operating System Support	Android 4.4.4

### LCD

Display Type	12.1" Wide Screen
Max Resolution	1024x768
Max. Colors	16M
Luminance	350cd/m2
Viewing Angle	160°(H), 160°(V)
Back Light MTBF (Hours)	20000

### TOUCH SCREEN

Type	Resistive Touch Screen (Optional Capacitive Screen)
Light Transmission	More than 81%
Life Time	250 g Dynamics , 3 Million Times

### POWER SUPPLY

DC Input	DC_IN 12V(Optional 9 ~36V)
----------	----------------------------

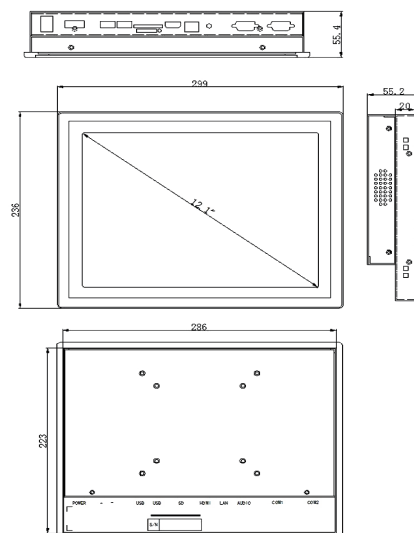
### ENVIRONMENTAL

Operating Temperature	-20°C ~ 70°C
Storage Temperature	-30°C ~ 85°C
Storage Humidity	90% Relative Humidity, Non-condensing

## MECHANICAL

Construction	Aluminum-magnesium Alloy
Mounting	VESA / Panel Mount
Dimensions	299x236x55.2mm
Weight	-

## DIMENSION ( Unit: mm )



The Hole Size : 290×225mm